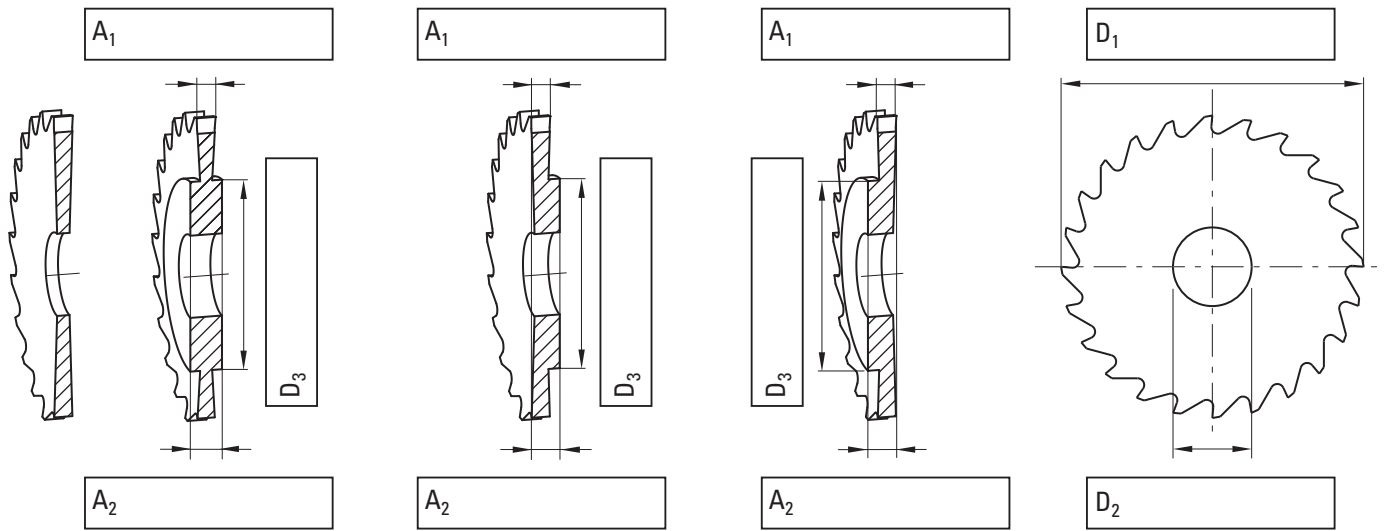


TOOLS ON REQUEST

Quantity

Material to be machined



L

R

